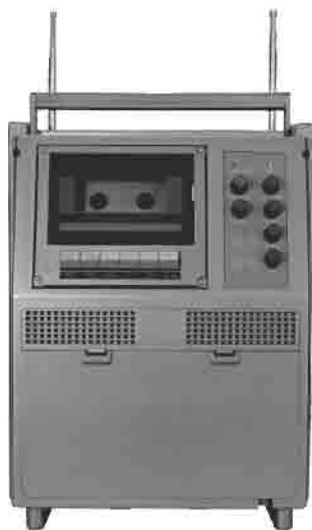




PWMA-120
OPERATING INSTRUCTIONS

DUAL VHF WIRELESS
BATTERY POWERED PA SYSTEM



GENERAL DESCRIPTION

1. This system comprises two sets of input circuit of wireless microphone and a set of input unit of wired microphone and a set of input unit of Audio signal.
2. This system is matched by a set of :
Headset microphone / tie-clip microphone and a set of
Handheld wireless microphone
3. Power supply : AC power, built-in rechargeable battery.
4. The system is of a volume adjusting circuit and its volume input can be controlled and adjusted.
5. The system is of Echo function, adjust it according to different request.
6. The system is of automatic recorder function, to realize automatic computer repeat (Hifi:200 seconds).
7. With voltage selector switch for selecting a suitable one according to different countries.
8. 110/220V Voltage switchable

CAUTIONS

1. Free from high temperature: don't expose the device to direct sunlight or near the hot equipment.
2. Don't place the device in the environment of humidity and dirt.
3. Don't place the device in the unventilated environment.
4. Don't pull the power cord while you pull out the plug, just hold the plug to pull out.
5. Pull out the AC power if you will not use the device for a long time.
6. Your operation must be subjected to the specified voltage mark on the device and comply with this guide.
7. Don't open chassis: it is very dangerous either open the chassis or put your hand inside the chassis, don't do it. If the device is not proper, pull out the plug at once and contact your retailer or the nearest distributor.

1. Handle
2. Power switch and master volume control
3. Compartment door for cassette
4. Volume control for wired mic
5. Repeat touch-tone board
6. Power indicator
7. Low battery indicator
8. Charging indicator
9. Tape volume control
10. Echo control
11. Treble control
12. Bass control
13. AC power fuse socket
14. Voltage selector switch
15. 2PIN jack
16. DC input jack
17. Rechargeable battery compartment
18. Antenna
19. Volume control A for wireless mic
20. Treble speaker
21. Speaker frame
22. Bass speaker
23. Volume control B for wireless mic
24. Wireless audio signal indicator
25. Wireless RF indicator

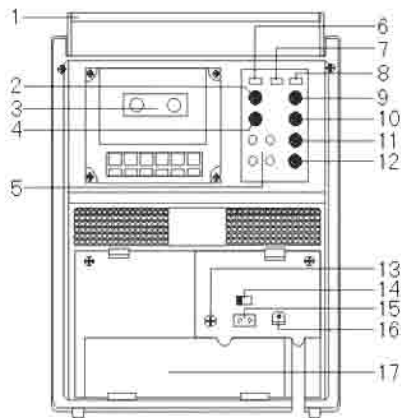


Figure A

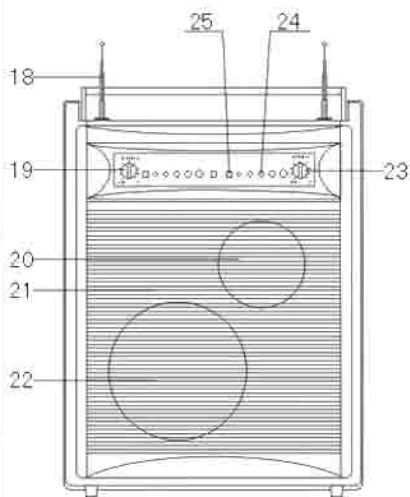
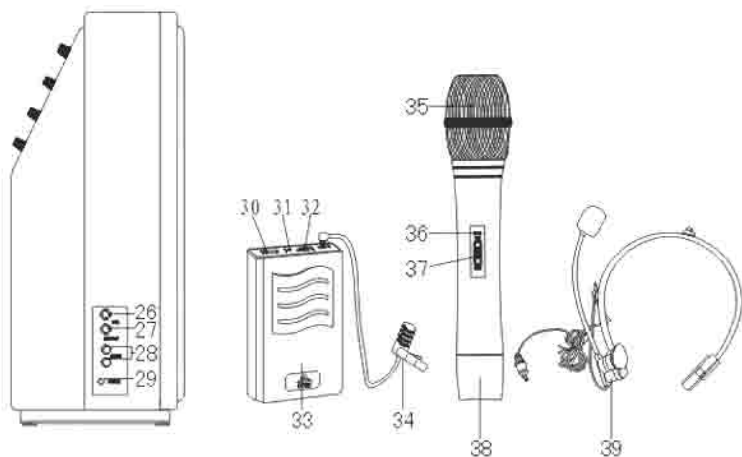


Figure B

26. Mic jack
27. Output jack, connect speaker
28. Input jack, connect audio source
29. Earphone output jack
30. Power switch for transmitter
31. Signal indicator for transmitter
32. Volume control for transmitter
33. Wireless bodypack transmitter
34. Tie-clip mic
35. Handheld mic head
36. Handheld mic battery condition indicator
37. Handheld mic switch
38. Battery housing
39. Headset mic

Figure C



1. Confirm the power:**A. When use the AC power:**

- 1) Please confirm if your currently AC power as same as the device parameter, if no, the device will be destroyed.
- 2) Turn on the volume control in clockwise direction, this device is normal working when the panel red power LED is come on.
- 3) Open the battery cover of the transmitter, put a 9V battery into it, then close. Put the plug of headset into the mic jack on the transmitter, keep the distance as 0.8-1M between the mic head and receiver, switch ON the transmitter, the red indicator light will flash once, the wireless device start working. Tune the master volume control and wireless mic volume control to your desired volume.

B. When use the build-in DC 12V rechargeable battery:

- 1) Insert the rechargeable battery in correct polarity direction. (DC 12V: Red means +, Black means -.)
- 2) Turn on the power/master volume control in clockwise direction, Red indicator is come on, this device is working now. If the low battery indicator is come on to yellow means the voltage is not enough, please recharge it.

C. When use the outer DC 12V rechargeable battery:

Outer DC power can be input into by DC jack directly. When use car battery: voltage should be 12V~15V, please note the correct polarity.

D. When recharging:

- 1) Plug the power cable into AC jack for recharging, when RECHARGE indicator turn to GREEN from YELLOW, means voltage is enough.
- 2) Please recharge the battery every 2 months if you don't use it for a long time, and recharge it 8~10 hours continuous.

2. General operation :

- 1) Normal play: Turn on the power/master volume control in clockwise direction. Press the STOP/EJECT key on the cassette, open the compartment to put into the tape, then press PLAY, adjust the power / master volume control knob. Also adjust the tone control, tape volume control, Echo control to get the best sound effects.
- 2) Wired microphone and Karaoke function: Plug the wired microphone into the MIC jack, let it far away the main unit if possible (avoid the feedback noise). Then getting the perfect amplifying effects if adjusting the master volume control and Tone control, and assort with the accompanying tape music, so realize the Karaoke function.
- 3) Amplify the outside Audio (CD, VCD etc): Connect the outside audio source with the input jack, adjust the master volume and tone control knobs, they can amplify the outside signal.
- 4) Cassette record: Open the cassette compartment, put into a vacant tape, press the REC key and PLAY key simultaneously to realize the recording function from wire/wireless microphones signal and outside audio source.

3. Wireless microphone :

- 1) Insert a 9V battery for the wireless bodypack transmitter, push the power switch to middle position, then the power indicator light will flash once. Turn on power of the main unit, draw out the antenna. Now the wireless receiver RF light of the main unit will shine, speaker is quiet.
- 2) Push the transmitter switch to ON, then you can listen the speaking sounds, adjust master volume control and tone control knobs. to a suitable position in order to avoid the noise even the rotund sounds from speaker. The signal level indicator show you the signal is big or small.
- 3) When the transmitter power switch is ON, and the power indicator is lighting all along, means that the transmitter battery is not enough, please replace it.

- 4. Computer repeat:(This device belongs to the Hifi original speaker repeat, repeat time:200 seconds)**
- 1) Play the tape, if you want to replay foregoing sounds, just press the REPEAT key. Then the tape will be stopped at this moment, then start to repeat. And you can listen it 200 seconds again and again.
 - 2) If you want to listen next content, just press PLAY key, then the tape will play on. Press the REPEAT again, resume repeat yet.
 - 3) Microphone computer repeat: Play the tape, plug the headset microphone and keep the microphone volume ready, press the RECORD key, now the computer IC is recording the speaking sounds(200 seconds), after finishing it, press the PLAYBACK key, so realize the microphone computer repeat function.
 - 4) The comparison between original sounds and recording sounds: Play the tape, and play a necessary sounds(original sounds), press the REPEAT key, now the tape will be stopped, start to repeat, namely keep the original sounds. And press the RECORD key, now can record face to the microphone, press the PLAYBACK key after finishing it, then you can listen the repeat sounds (recording sounds) from microphone. If you want to listen the effect of the comparison, just press the PLAYBACK key for 2~3 seconds, then show it to you.(First is original sounds, second is Recording sounds.)
 - 5) Keep the original sounds on tape: If you want to record again, need press the RECORD key, also press the PLAYBACK key for 2~3 seconds after that, you can listen the comparison between the sounds from tape and your new sounds, and keep the original sounds on tape here.

AMPLIFIER

Output power:	75W RMS, 150W Peak Power
Frequency Range:	169 ~ 216MHz
Stability for frequency:	$\pm 0.005\%$ (-20°C ~ -40°C)
S/N:	$\geq 60\text{dB}$
Power supply:	<input type="checkbox"/> AC 220V/50Hz/DC 12V ~ 15V <input type="checkbox"/> AC 110V/60Hz/DC 12V ~ 15V
Receiving Mode:	FM
Output Impedance:	600 Ω
Operation range:	100ft
Hifi repeat time:	200s
Cassette speed:	4.76cm/S
Stability for shock:	$\leq 0.5\%$
Dimensions:	10.8 " L \times 5.9 " W \times 14.2 " H
Unit Battery Life:	Approx. 3 Hours

TRANSMITTER

Frequency Range:	170-216 MHz
Dynamic Range:	80dB
Frequency Response:	100 ~ 10KHz
Operation Temperature:	-20 °C ~ -40 °C
Battery Voltage:	9V battery
Mic Battery Life:	Approx. 45 Hours